

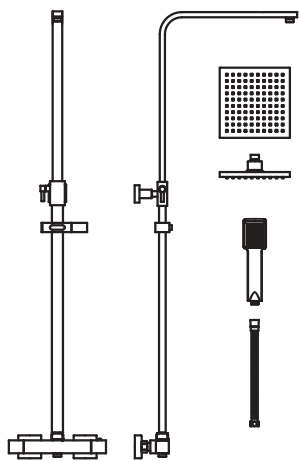
USER MANUAL



Thank you for choosing Better Bathrooms.
Please read this manual before installing your product
and keep for future reference

better
bathrooms

Product name- Square Thermostatic Shower Set



- Single-person assembly
- We always recommend using professional tradespeople to install your product

V1_25.06.2024

Congratulations on your purchase

And welcome to our growing gang of savvy shoppers

We're on a mission to bring you extraordinary bathroom products, for less. From modern to traditional style ceramics, plus the gorgeous fixtures, fittings and furniture to match. So, you can fall in love with your space every single day.

As one of the UK's largest independent bathroom stores, we've received countless awards; including the National Business Awards UK, the Digital Entrepreneur Awards and being placed on The Sunday Times Fast Track 100.

We hope your new product exceeds your highest expectations. However, if you experience any problems, please:

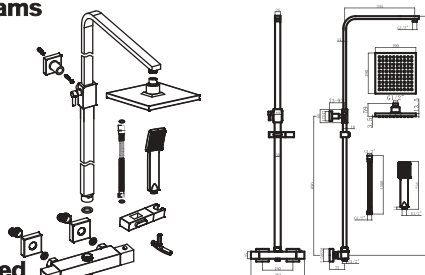
- call our friendly UK call centre on 03303903062 (9am-7pm Monday to Friday, or 10am-4pm Saturday and Sunday), or
- send us a message via customerservices@buyitdirect.co.uk

Important information

- Please read these instructions thoroughly and retain for future reference
- Water pressures must be balanced. Always ensure to flush the system prior to installation.

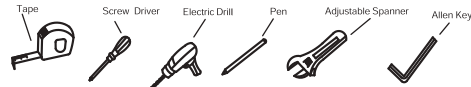
Maximum Static Pressure: 10 Bar
Flow Pressure, Hot & Cold: 1-5 Bar
Hot Supply Temperature: 55-65 °C
Cold Supply Temperature: 5-25 °C

Parts/ Diagrams

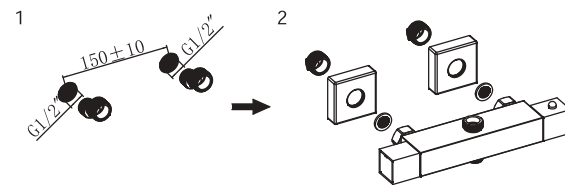


Tools required

- Protective cloth

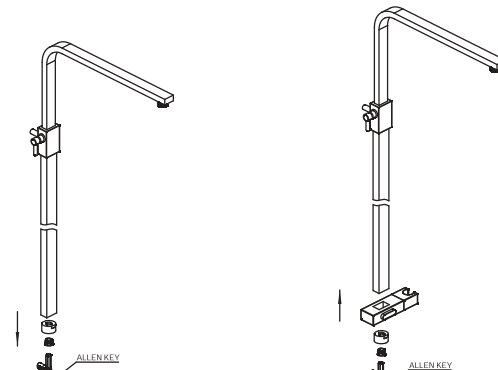


Installation



The valve should be installed in accordance with the water bye-laws. For further details refer to the latest copy of Water Bye-laws guide or your local water authority.

1. Fit off-set connectors to the water inlets in the wall, then screw the concealing covers onto the off-set connectors until they come into contact with the wall. Seal with an appropriate sealant.
 2. Fix the connector of shower valve to the off-set connectors with spanner.
- Please use a cotton sheet inside of spanner in case of any scratches. Make sure hot inlet on the left and cold inlet on right, otherwise it will affect the performance.

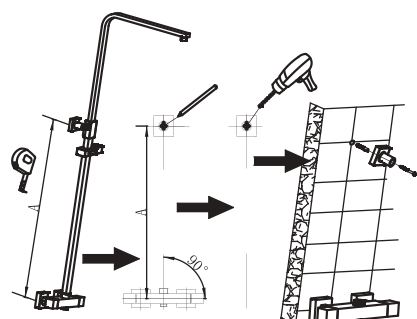


3. Screw off the connector using Allen key.
ALLEN KEY (10mm)

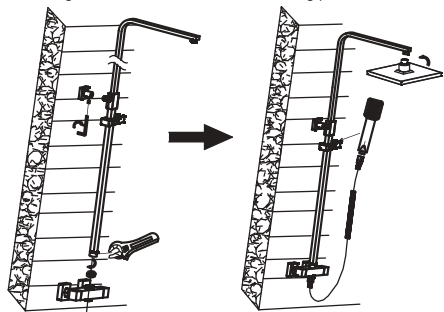
4. Put the adjustable holder onto the rail slider.
Screw on the connector back to the rail slider.
ALLEN KEY (10mm)

2

3



5. Measure the installation height of the shower rail as per dimension A, using a tape measure and spirit level, ensuring that when the top section of the rail which is height adjustable is extended, it can achieve the required height for the users. Mark one hole in required position with pen. Drill the hole in the wall with electric drill and place the wall plug into the hole. Always check before drilling that no cables or pipes can be damaged. Fit the connector to the fixing plate and cover.



6. Align the shower valve and connector and tighten the nuts using an adjustable spanner. Insert the grub screw into the fixing bracket, then insert the peg on the rear of the rail into the bracket and secure by tightening the grub screw using an Allen key, ensuring the rail is vertical. Finally connect the hand shower to the flexible hose cone end ensuring to fit the seal, then fit the nut end to the mixer outlet, again fitting the seal and tighten. Connect the over head shower to the shower arm outlet, ensuring to fit the seal and tighten.

4

OPERATION

To turn the shower ON and OFF, rotate the left handle on the mixer
To control the temperature, rotate the right hand as indicated on the mixer, to exceed the 38°C temperature, rotate to the stop position, press the button and continue to turn.

To adjust the rail height, turn the small level on the side of the rail and pull the top section of the rail upwards, take care not to over extend as this will break the seal and cause the rail to leak.

TROUBLESHOOTING

1. Output water temperature does not correspond with temperature set
Cause: Thermostat has not been adjusted base on the existing home water system
Remedy: Adjust the thermostat, refer to "Temperature Setting" procedure.
Cause: Hot Water temperature too low.

Remedy: Adjust the water heater, increase hot water temperature to 65 °C.

2. Crossflow, cold water being forced into hot water pipe, or vice versa, when valve is closed

Cause: Non-return valves dirty or leaking

Remedy: Clean the non-return valves or exchange if necessary

3. Very low flow or no flow

Cause: Supply pressure inadequate

Remedy: Check hot and cold feeds. If a pump has been installed, please check to see if the pump is working. (the valve will shut down if either the cold or hot water supply fails)

4. Water will not run hot enough when first installed

Cause: Wrong maximum temperature setting

Remedy: Adjust the maximum temperature, refer to "Temperature Setting" procedure.

MAINTENANCE(THERMOSTATIC CARTRIDGE)

* After a period of use of the thermostatic mixer, there will be some waste or debris from the water pipe on and around the thermostatic cartridge, which will affect the flow and sensitivity of the thermostat. Please take out the thermostatic cartridge and clean the cartridge strainer. Before removing any parts please turn off water supply.

* To avoid damage, please remove all chrome parts before any maintenance takes place.

1) Take off the cap, untighten the screw, to remove handle and washer. Remove the thermostatic stop ring and take note of the position for replacing. (See Fig. 1)

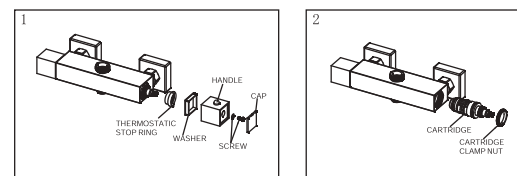
2) Untighten the cartridge clamp nut to take out the cartridge. (See Fig. 2)

3) Wash the cartridge with clean running water, dry and lightly grease the seals (only use silicone grease).

4) Replace the cartridge ensuring that it is fully inserted into the mixer body

Your thermostatic mixer is set under factory pressures and conditions, therefore re-calibration may be required after installation if the correct temperature is not being achieved.

To do this turn the temperature handle to the 38 c stop position and then carry out the same process to remove the handle as above, do not remove the stop ring, then turn the spindle on the thermostat to until 38c is achieved, then re-fit the handle so that it is located at the 38c stop position



CLEANING

To maintain the surface of your product, wipe with a clean damp cloth and wipe dry. Do not use abrasive cleaning agents or materials which can strip and scratch the surface; the use of these agents or materials can invalidate your guarantee. It is recommended to wipe and dry on a regular basis.

For more information

- visit betterbathrooms.com
- email customerservices@buyitdirect.co.uk
- call 03303903062

• write to Trident Business Park, Neptune Way, Huddersfield, HD2 1UA.

better
bathrooms

Part of the BuyItDirect Group

5